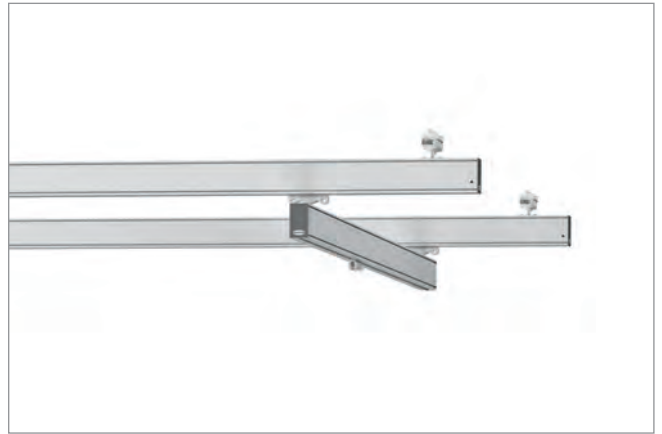


Configuration Examples



Monorail Crane System

- Cost efficient crane solution for easy transportation of loads along an axis (optionally with curve radii)
- Low overall height



Single Bridge Crane System

- Standard solution for comprehensive transportation of loads along two axes
- Optimal use of space



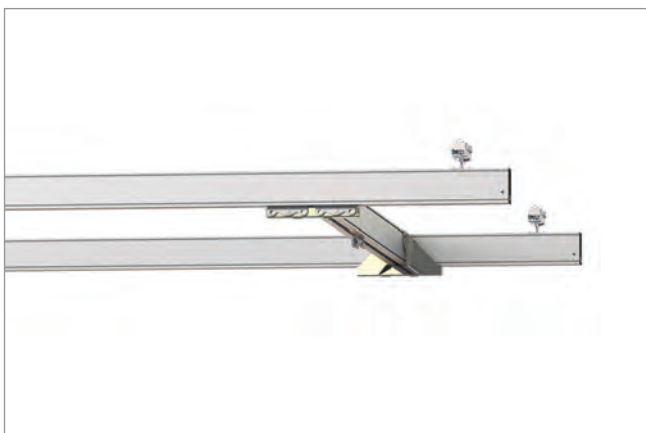
Multiple Bridge Crane System

- For operation of several hoists on a crane system (example: in shipping departments or on assembly lines with several work places)



Single Bridge Crane System with Telescopic Jib

- Enables access to production spaces that are difficult to reach (example: loading CNC machines)



Low Headroom Single Bridge Crane System

- Optimal use of the ceiling height available



Double Bridge Crane System

- For connecting fixed lifting systems, such as manipulators or load axles
- Even load distribution